

## Showers



### ZSALNF00459

#### Hand Shower

#### FEATURES

Elegant design

Sliding rail shower set complete with:

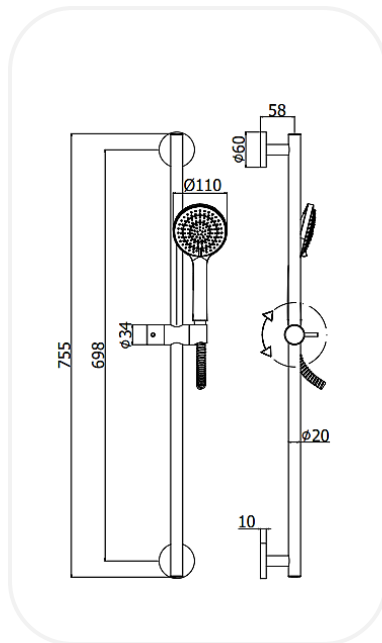
Metal rod  $\varnothing 20 \times L.755 \text{ mm}$

Metal fixed wall bracket

Metal slider bracket

ABS hand shower, three-spray functions,  $\varnothing 110 \text{ mm}$

With silver PVC hose 1500mm twist free with conical nut



#### SPECIFICATIONS

<b>Series</b>	SLED
<b>Finish</b>	Chrome
<b>Material / Sliding Rail</b>	Metal, $\varnothing 20.5 \times 730 \text{ mm}$
<b>Material / Hand Shower</b>	ABS, $\varnothing 110 \text{ mm}$ , 3-Functions
<b>Hose</b>	PVC, 1500mm, Silver

**WARRANTY:** 5 years

#### PARTS DESCRIPTION

<b>Sliding rail shower set</b>	ZSALNF00459
--------------------------------	-------------