

## Showers



### ZSALNF00435

#### Shower Set

#### FEATURES

Elegant design

Sliding rail shower set complete with:

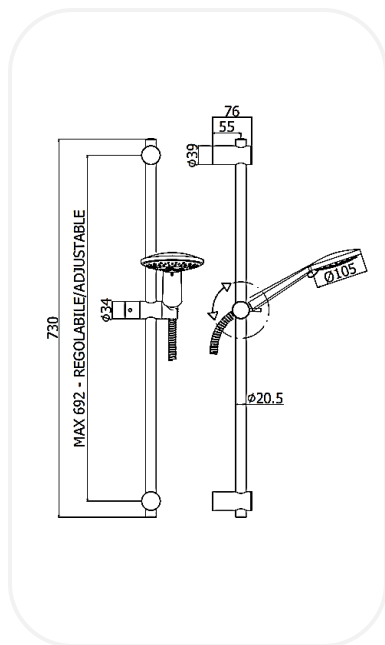
Metal rod  $\varnothing 20,5 \times L.730$  mm

Adjustable ABS wall brackets

Metal slider bracket

ABS hand-shower, 4-spray functions,  $\varnothing 105$  mm

Double interlock twist-free metal flexible hose 1500mm with conical nut.



#### SPECIFICATIONS

<b>Series</b>	SLED
<b>Finish</b>	Chrome
<b>Material / Sliding Rail</b>	Metal, $\varnothing 20.5 \times 730$ mm
<b>Material / Hand Shower</b>	ABS, $\varnothing 105$ mm, 4-Functions
<b>Hose</b>	Metal, 1500mm

**WARRANTY:** 5 years

#### PARTS DESCRIPTION

<b>Sliding rail shower set</b>	ZSALNF00435
--------------------------------	-------------