

Showers



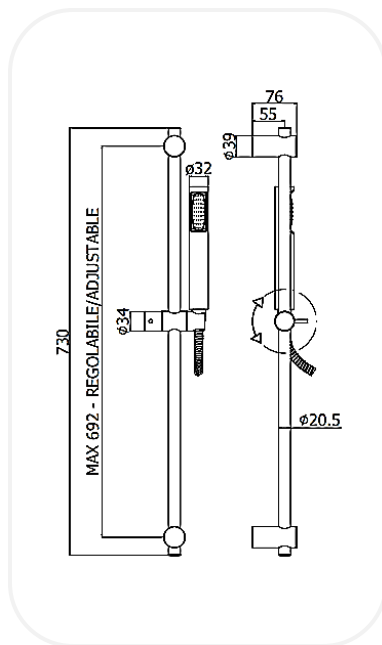
ZSALNF00430

Shower Set

FEATURES

Elegant design

Sliding rail shower set complete with:
 Metal rod $\varnothing 20,5 \times L.730$ mm
 Adjustable ABS wall brackets
 Metal slider bracket
 Round ABS hand shower
 Double interlock twist-free metal flexible hose 1500mm
 with conical nut



SPECIFICATIONS

Series	SLED
Finish	Chrome
Material / Sliding Rail	Metal, $\varnothing 20,5 \times 730$ mm
Material / Hand Shower	ABS, 1-Function
Hose	Metal, 1500mm

WARRANTY: 5 years

PARTS DESCRIPTION

Sliding rail shower set	ZSALNF00430
--------------------------------	-------------