

Showers



ZSALNF00429

Shower Set

FEATURES

Elegant design

Sliding rail shower set complete with:

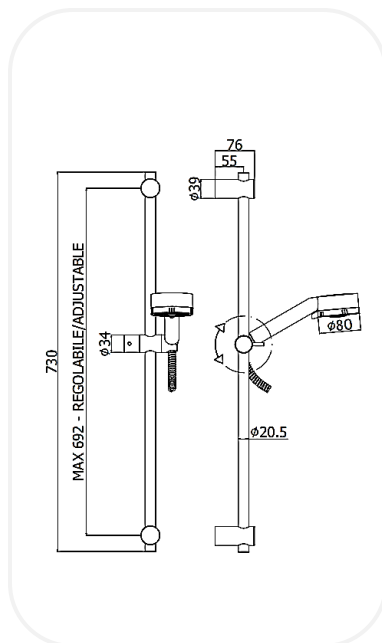
Metal rod $\varnothing 20,5 \times L.730$ mm

Adjustable ABS wall brackets

Metal slider bracket

ABS hand shower, three-spray functions, $\varnothing 80$ mm

Double interlock twist-free metal flexible hose 1500mm with conical nut



SPECIFICATIONS

Series	SLED
Finish	Chrome
Material / Sliding Rail	Metal, $\varnothing 20.5 \times 730$ mm
Material / Hand Shower	ABS, $\varnothing 80$ mm, 3-Functions
Hose	Metal, 1500mm

WARRANTY: 5 years

PARTS DESCRIPTION

Sliding rail shower set	ZSALNF00429
--------------------------------	-------------