

## Showers



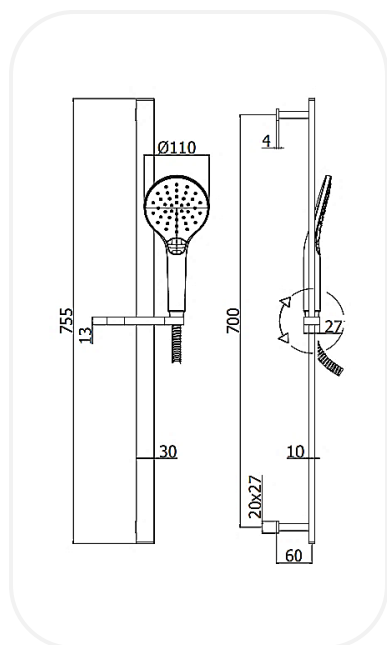
### ZSALNF00426

#### Shower Set

#### FEATURES

Elegant design

Sliding rail shower set with push button diverter, rectangular metal rod, ABS hand shower (2-functions) and twist free PVC hose.



#### SPECIFICATIONS

<b>Series</b>	SLED
<b>Finish</b>	Chrome
<b>Material / Sliding Rail</b>	Metal, Ø20.5x730mm
<b>Material / Hand Shower</b>	Ø110 ABS, 2, functions
<b>Hose</b>	PVC 1500mm

**WARRANTY:** 5 years

#### PARTS DESCRIPTION

<b>Sliding rail shower set</b>	ZSALNF00426
--------------------------------	-------------